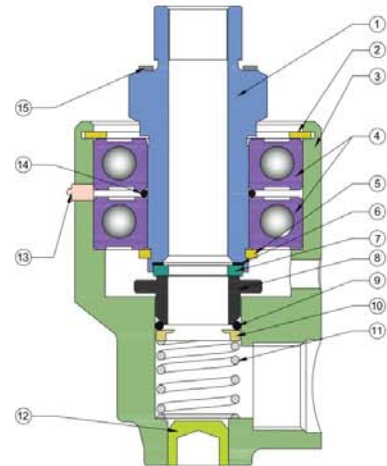


Features

- ▶▶ Heavy Duty Design
- ▶▶ Double FAG / SKF Bearing
- ▶▶ Single & Dual Flow Application
- ▶▶ Complete S. S. 304 MOC
- ▶▶ Suitable for Critical Application

Technical Specification

Model	DRS
Size	1/4", 3/8", 1/2", 3/4", 1", 1.1/4", 1.1/2" & 2"
Pressure	Upto 12 Kg/cm ²
Temperature	Upto -5 to 150 °C
Leakage	Bubble Tight
RPM	3500 Max.
Media	Chilled Water / Semi Hot Water



No.	Part Name	Material
1	Shaft	IC CF8
2	Circlip Housing	Standard S. S.
3	Body	IC CF8
4	Bearings	Standard S. S.
5	Rotor Shaft Circlip	Standard S. S.
6	Rubber Sheet	NBR
7	Seal	Silicon Carbon Tungston
8	Seal	Carbon Graphite Bronze
9	'O' Ring	Viton / Nitrile
10	Washer	Brass
11	Spring	Stainless Steel
12	Thread Plug	Stainless Steel
13	Grease Nipple	Standard
14	Spacer	Stainless Steel
15	Seal Washer	Copper

Dimensions :

(All Dimensions are in mm)

MODEL	SIZE	A	B (BSP) Rotor Connection	ØC	D1	E	F	ØG	H	J	K (BSP)	U	Weight (Kg.) Approx.
DRS - 06	1/4"	1/4"	1/4"	46	100	23	13	7.5	22.5	57	1/8"	1.5	0.625
DRS - 10	3/8"	3/8"	3/8"	46	125	26	16	9.5	22.5	57	1/4"	1.5	0.632
DRS - 15	1/2"	1/2"	1/2"	57	121	35	19	12.7	29	62	3/8"	1.5	1.101
DRS - 20	3/4"	3/4"	3/4"	73	135	33.5	19	17.5	36	76.5	1/2"	1.5	1.885
DRS - 25	1"	1"	1"	82	160	42	22	25	46	84.5	3/4"	1.5	2.745
DRS - 32	1.1/4"	1.1/4"	1.1/4"	91	190	54	28	32	46	90	1"	1.5	3.625
DRS - 40	1.1/2"	1.1/2"	1.1/2"	108	228	72	29	38	55	149	1.1/4"	2	6.700
DRS - 50	2"	2"	2"	118	252	65	29	47.5	60	126	1.1/4"	1.5	7.600