

3/2 Way Hand Lever Valve (Spring Return / Detent)

Features

- ▶▶ Compact Design with Maximum Flow
- ▶▶ Aluminum Extruded Body with Anodized

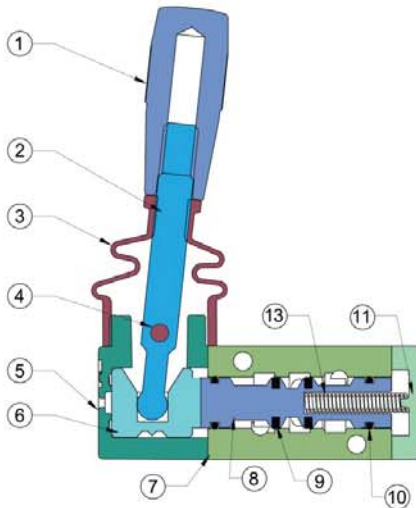
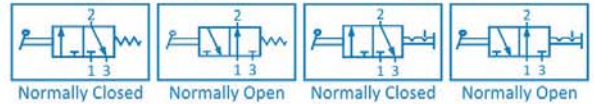
Technical Specification

Model	2AD-HR-405	2AD-HR-407	2AD-HD-455	2AD-HD-457
Size	1/4"	1/2"	1/4"	1/2"
Type	Spring Return		Detent	
Design	Spool type			
Pressure	10 Kg/cm ²			
Temperature	5 to 55 °C			
Flow rate in SCFM Lts. / Min @6 Kg	42	123	42	123
Recommended Oil For Lubrication	ISO VG32			
Leakage	Bubble Tight			
Media	Compressed Air (Filtered & Lubricated)			
Weight (Kg)	0.250	0.700	0.250	0.700



Spring Return

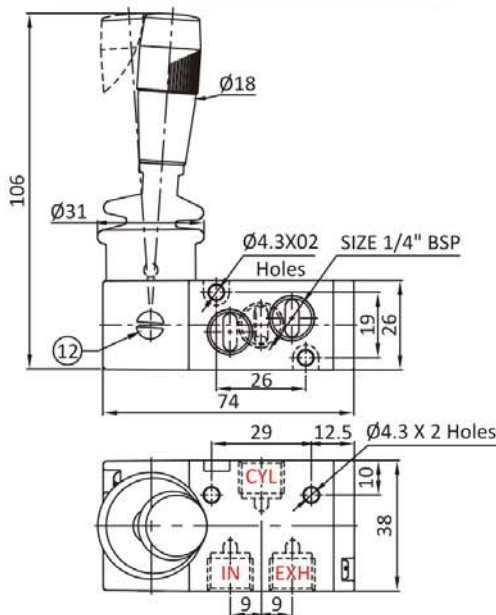
Detent



No.	Part Name	Material
1	Knob	Nylon
2	Handle	Hardchrome Plated
3	Bellow	NBR
4	Dowel Pin	Hardchrome Plated
5	Top Cover	Aluminum Pressure Die Cast
6	Piston	Standard Steel
7	Body	Aluminum
8	Spool	Aluminum
9	Seals Ring	NBR
10	Guide Ring	NBR / PTFE / Polyacetal
11	End Cover	Aluminum / Nylon
12	Cushioning Set	Brass / S. S.
13	*Spring	S. S.

* For Spring Return Only.

Size : 1/4" BSP (Dimensions are in mm)



Size : 1/2" BSP (Dimensions are in mm)

