

## 3/2 Way Foot Pedal Valve (Spring Return)

### Features

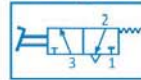
- ▶▶ Heavy & Durable design.
- ▶▶ Aluminum Die Cast Standard Grade with Powder Coating.
- ▶▶ Hard Chrome Plated spool for rust free smooth and long life cycle.
- ▶▶ Superior High Grade Seals
- ▶▶ Simple design easy to maintenance

### Technical Specification

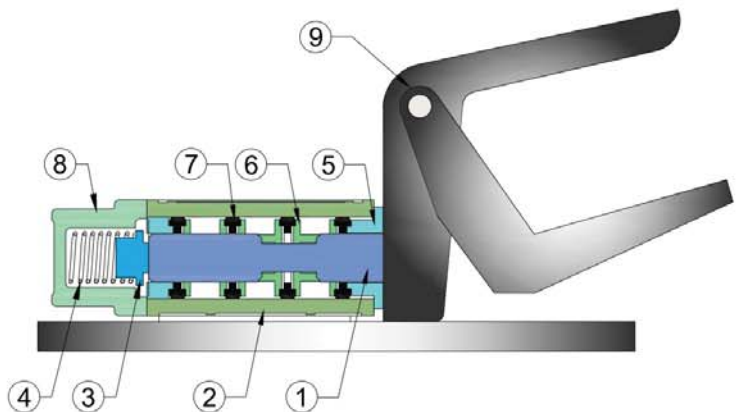
Model	2ARMFLV - 302	2ARMFLV - 304
Size	1/4"	1/2"
Orifice	6.5	12.5
Design	Spool type,	
Pressure	10 Kg/cm <sup>2</sup>	
Temperature	80 °C	
Leakage	Bubble Tight	
Media	Compressed Air ( Filtered & Lubricated )	
Flow (NLPM) at 5 BAR	1000	2500
Weight (Kg)	1.185	1.815



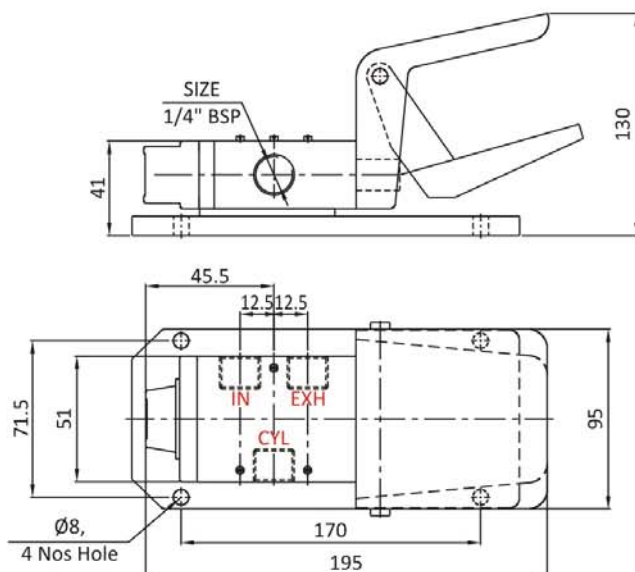
Normally Closed



No.	Part Name	Material
1	Spool	EN8 Hardchrome Plated
2	Body	Aluminum Pressure Die Cast
3	Stopper	Polyacetal
4	Spring	S. Spring
5	Collar Washer	Polyacetal
6	Cage	Polyacetal
7	'T' - Ring	Hi - Nitrile
8	End Cover	Aluminum Pressure Die Cast
9	Pedal Cover & Mounting Plate	Steel Fabricated



Size : 1/4" BSP (Dimensions are in mm)



Size : 1/2" BSP (Dimensions are in mm)

